

741

SPECIFICATIONS

TECHNICAL DATA

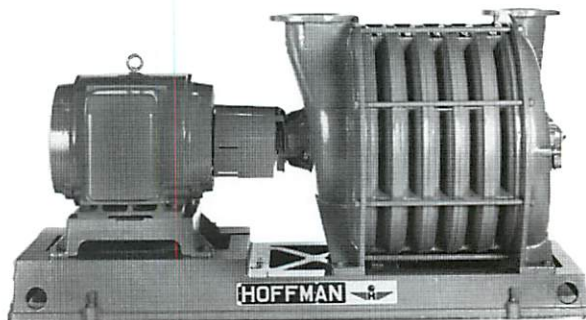
- Number of stages:** 1 through 9 (10 for 50 Hz).
- Inlet connection:** 8" (203mm) flange, ANSI 125# drilling.
- Outlet connection:** 8" (203mm) flange, ANSI 125# drilling.
- Operating speed:** 3550 RPM.
- Seals (air):** Two carbon rings each end.
- Seals (gas):** Four carbon rings each end with inert gas injection taps.
- Bearings:** Ball, 10 year minimum life per AFBMA L₁₀ standards.
- Lubrication:** Grease standard (oil system available).
- Impeller diameter:** 24" (610mm).
- Impeller tip speed:** 372 FPS (113m/sec).
- First critical speed:** 4323 RPM (9 stage).
- Direct drive:** Yes, also available for gear or belt drive.
- Vibration tolerance:** 0.28"/sec (7.1mm/sec).
- Shaft end:** 1-7/8" (48mm) diameter, inlet end drive standard.
- Rotor balance:** Impellers are statically balanced individually. Complete rotating assemblies are dynamically balanced.
- Maximum casing pressure:** 25 PSIG.

DIMENSIONS

Model	A Inches (mm)	F Inches (mm)	Weight		Rotor *WK ² (lb. ft. ²)
			LBS	KG	
74101A	60" (1524)	11" (298)	1300	590	11
74102A	72" (1829)	16" (408)	1600	726	21
74103A	72" (1829)	20-3/8" (518)	1910	866	31
74104A	72" (1829)	24-11/16" (627)	2290	1039	42
74105A	84" (2134)	29" (737)	2740	1243	52
74106A	84" (2134)	33-5/16" (846)	3090	1402	63
74107A	84" (2134)	37-5/8" (956)	3440	1560	73
74108C	96" (2439)	41-15/16" (1065)	3860	1751	38
74109C	108" (2744)	46-1/2" (1175)	4260	1932	43

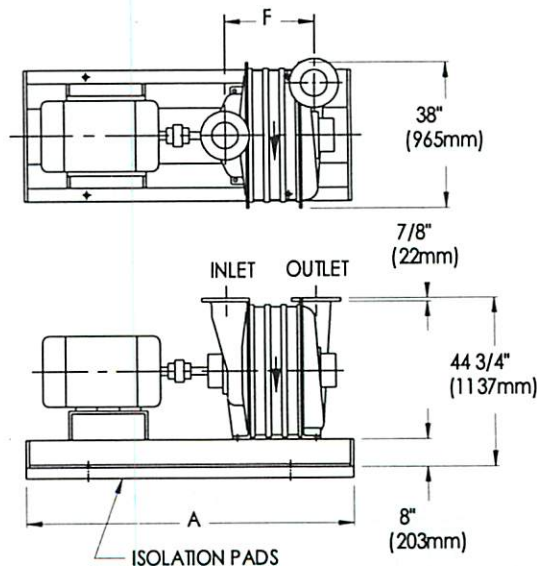
Information is approximate, subject to change, and not to be used for construction purposes.

* Based on cast impellers through seven stages. Fabricated impeller data on 74108 and 74109.

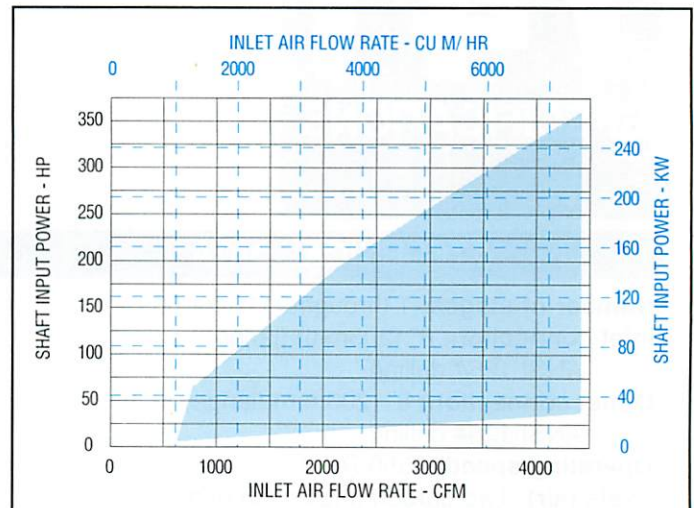
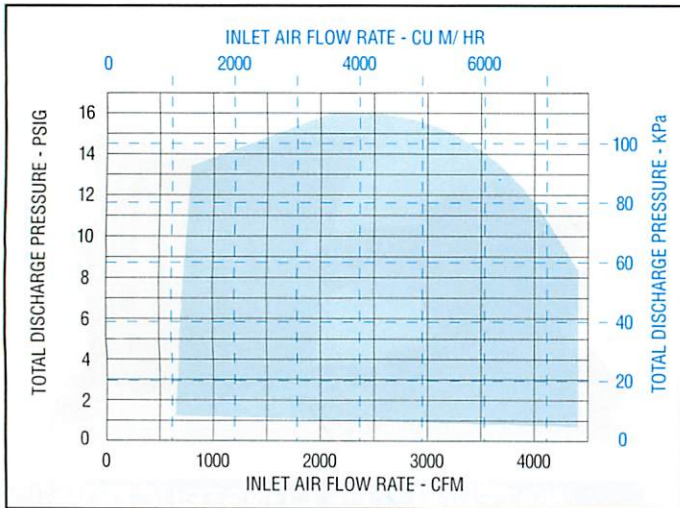


MATERIALS OF CONSTRUCTION

- Casing:** Heads, Sections and Bearing Housing: Cast Iron ASTM A48, Class 30.
- Tie rods:** 3/4" (19mm) diameter cold drawn steel.
- Joint sealing compound:** RTV silicone.
- Shaft:** Carbon steel, AISI 1045 (stainless steel available).
- Impellers:** Cast or fabricated aluminum (cast hub). Fabricated stainless steel or other alloy construction and special coatings available.
- Base:** Fabricated steel.
- Motor pedestal:** Welded steel plate.
- Finish:** Blue enamel over rust inhibitive primer.
- Base pads:** Cork strips.
- Interstage baffles:** AISI 300 Series Stainless Steel.

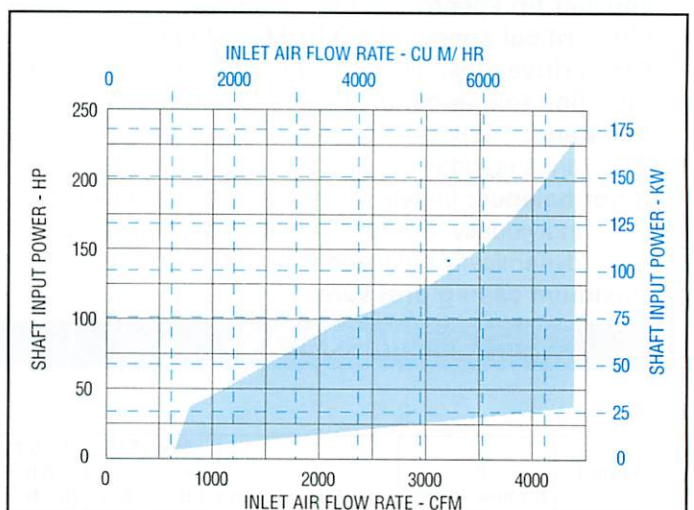
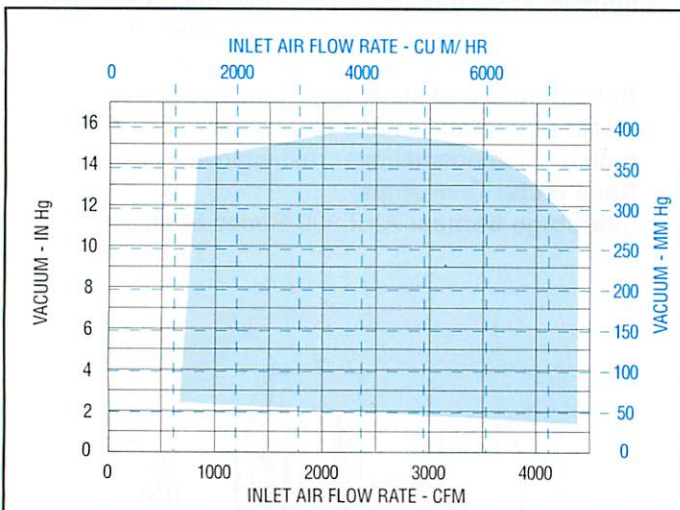


APPROXIMATE BLOWER PERFORMANCE



Inlet conditions: 14.7 PSIA (101.4 KPa), 68°F (20°C), 36% RH. Speed: 3550 RPM.

APPROXIMATE EXHAUSTER PERFORMANCE



Atmospheric conditions: 29.9" Hg (760 mm Hg), 68°F (20°C), 36% RH. Speed: 3550 RPM.



HOFFMAN AIR & FILTRATION SYSTEMS

6181 THOMPSON RD. • P.O. BOX 548 • E. SYRACUSE, NY 13057-0548

PHONE: (315) 432-8600 • FAX: (315) 432-8682

E-MAIL: hoffman.air@btrinc.com • WEB: <http://www.hoffmanair.com>

ISO 9001
REGISTERED



FM 30949

